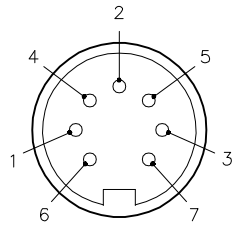

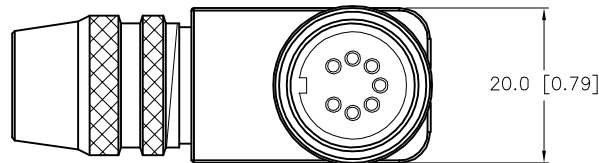
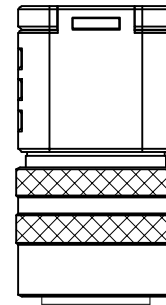
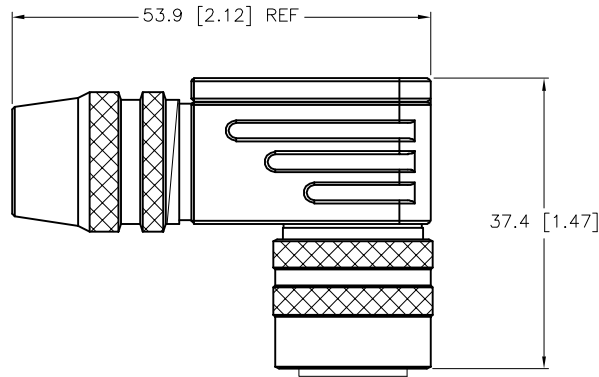
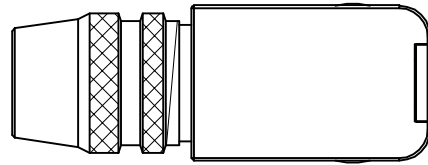


FEMALE END VIEW




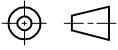
 M16 connector



SPECIFICATIONS

| | |
|-------------------------------|--|
| CONTACT CARRIER MATERIAL | PBT |
| CONTACT MATERIAL/PLATING | BRASS/GOLD |
| HOUSING MATERIAL/PLATING | ZINC DIECAST/NICKEL |
| COUPLING NUT MATERIAL/PLATING | ZINC DIECAST/NICKEL |
| RATED CURRENT [A] | 5.0 A |
| RATED VOLTAGE [V] | 125 VAC/VDC |
| TEMPERATURE RANGE | -30°C TO +95°C (-22°F TO +203°F) |
| PROTECTION CLASS | MEETS IEC IP67 |
| CABLE GLAND | PG 9 - ACCEPTS 6-8mm CABLE |
| TERMINALS | CONDUCTORS TO 20 AWG, SOLDER CUP TERMINALS |

SOURCE DRAWING - FOR REFERENCE ONLY

| | | | | | | | |
|-------------------|--|---|---------------------|--|--------------------|---|-------------------------|
| RELATED DOCUMENTS | | 3RD ANGLE PROJECTION | | THIS DRAWING IS CONFIDENTIAL AND THE PROPERTY OF TURCK INC. USE OF THIS DOCUMENT WITHOUT WRITTEN PERMISSION IS PROHIBITED. | |  3000 CAMPUS DRIVE MINNEAPOLIS, MN 55441 1-800-544-7769 (763) 553-7300 (763) 553-0708 fax www.turck.us | |
| 1. | |  | DRFT | RWC | DATE | 02/24/09 | DESCRIPTION WBKS 7-0 |
| 2. | | | DSGN | | SCALE | 1=1.0 | |
| 3. | | ALL DIMENSIONS DISPLAYED ON THIS DRAWING ARE FOR REFERENCE ONLY CONTACT TURCK FOR MORE INFORMATION | UNIT OF MEASUREMENT | | IDENTIFICATION NO. | | REV |
| 4. | | | MILLIMETER [INCH] | | U2-15423 | | A |
| MATERIAL | | SEE SPECIFICATIONS | | DO NOT SCALE THIS DRAWING | | FILE: U2-15423 | SHEET 1 OF 1 |
| FINISH | | SEE SPECIFICATIONS | | | | | |

| | | | | |
|-----|-----------------|-----|----------|---------|
| A | DRAWING RELEASE | RWC | 02/25/09 | |
| REV | DESCRIPTION | BY | DATE | ECO NO. |